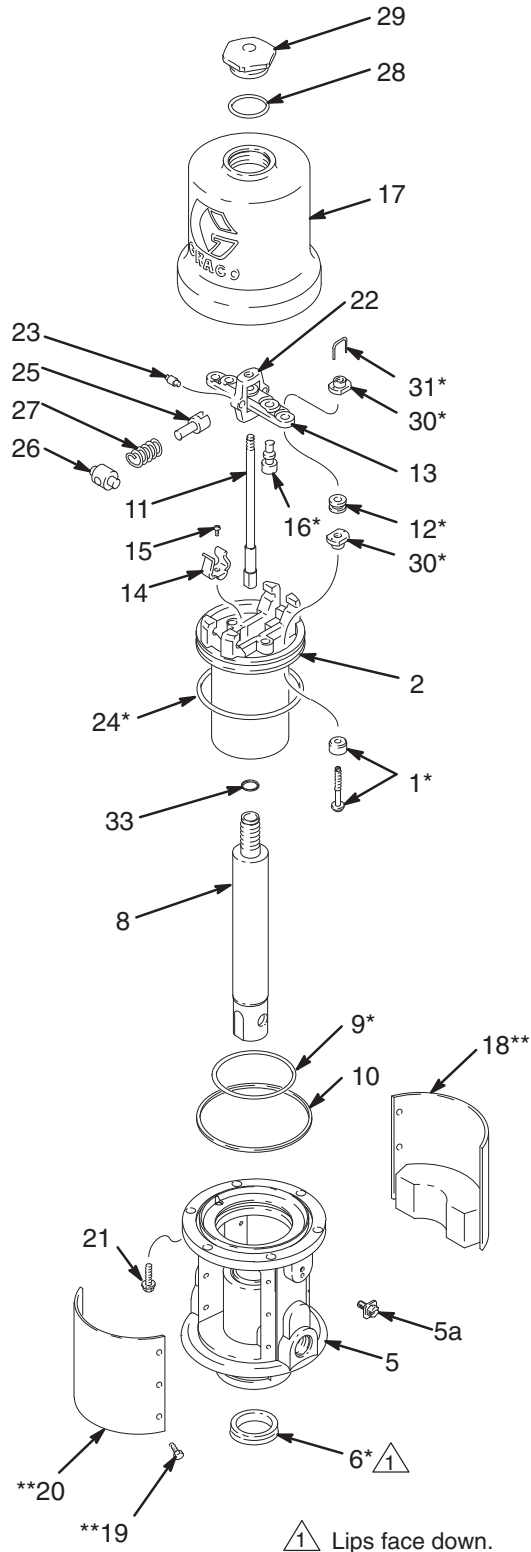


# Air Motor Parts Drawing



# Pump Parts Drawing

